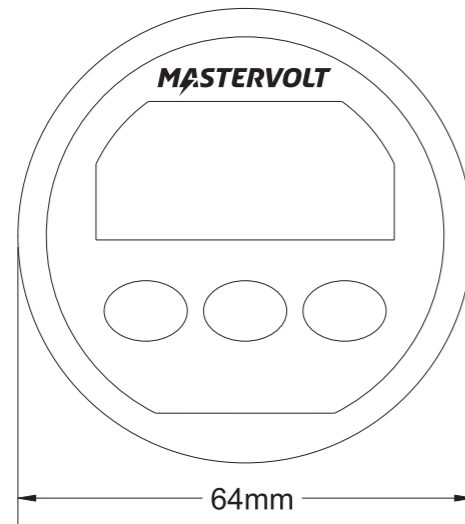
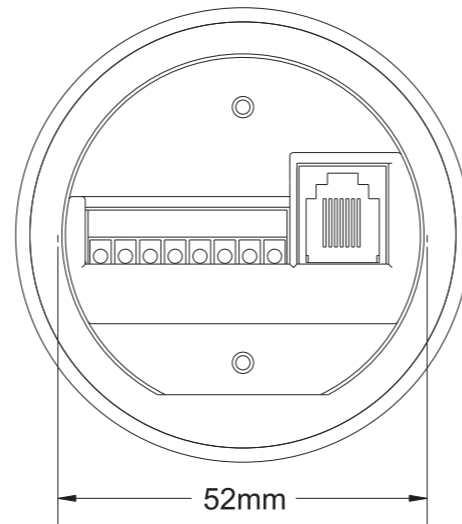


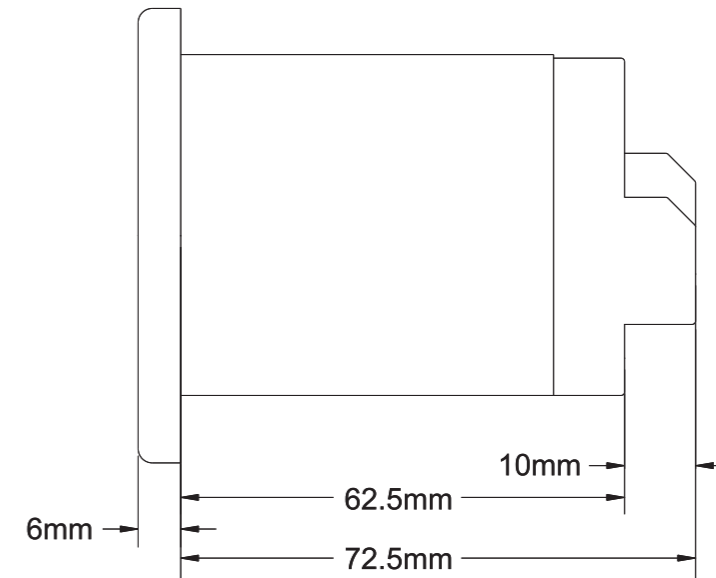
Front view



Rear view



Side view

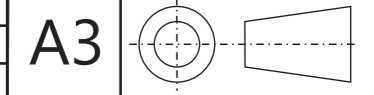


BattMan pro & lite dimensions



Material:	Units: mm
Scale: 1:1	Checked:
Drawn: hFd	Date: 04-11-2015

Tolerances: linear $\pm 0.2\text{mm}$
Angular $\pm 0.5^\circ$



Drawing: 10000010513_00